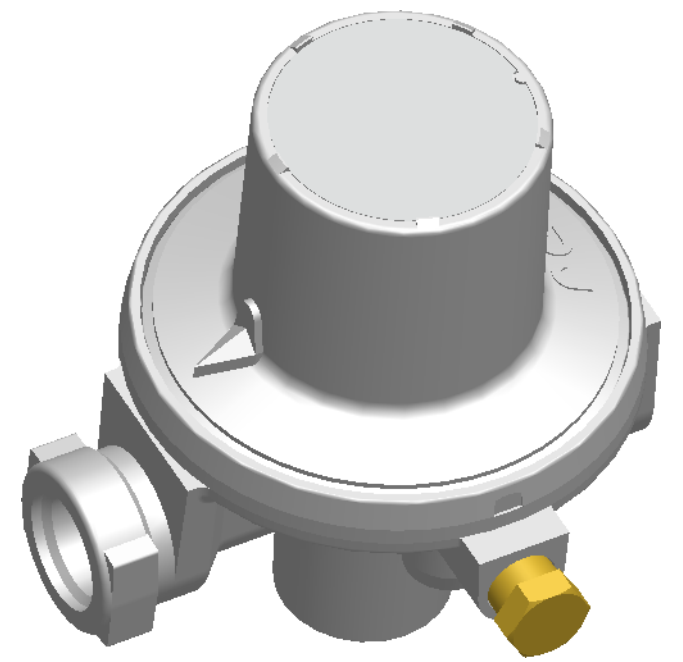
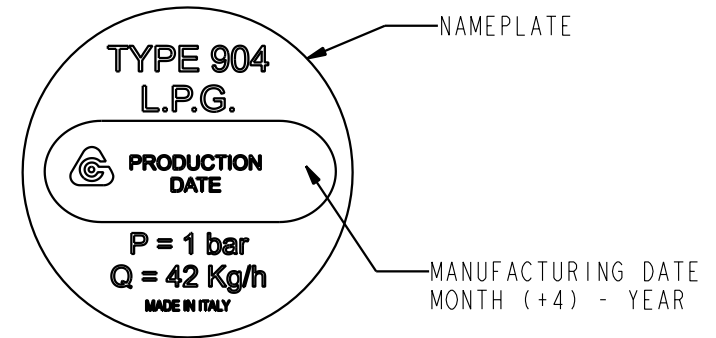
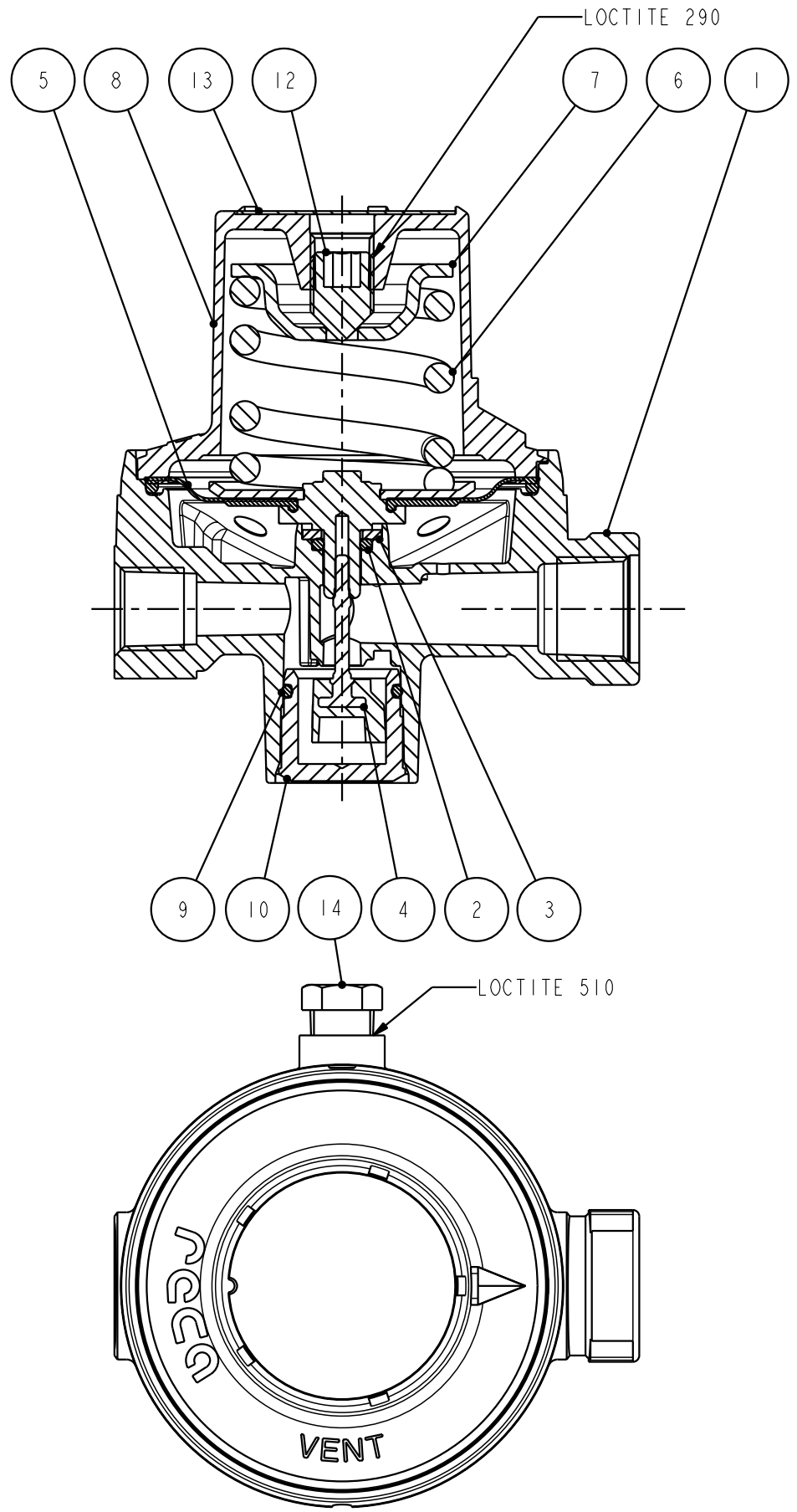



This drawing may not be copied or distributed in any way without the written permission of Cavagna Group Div. RE.CA. Via Matteotti, 5 - Calvisano - BS - Italy



NO	NO PRODUCT	DENOMINATION	Q.TY
1	00-1-150-2095	SCATOLA A.P. Tipo "ITA"-ORIZZ. lavorata 1/4" NPT-3/8" NPT	1
2	04-1-110-0503	ANELLO TOROIDALE	1
3	15-1-110-0022	RONDELLA	1
4	06-1-950-0010	PASTICCA ADERIZZATA	1
5	09-1-950-0039	S/I MEMBRANA MOD.90	1
6	07-1-110-0152	MOLLA DI TARATURA MOD.902	1
7	08-1-110-0042	PREMIMOLLA	1
8	01-1-150-0109	COPERCHIO REGOLABILE A.P. (MOD 902)	1
9	04-1-110-0520	ANELLO TOROIDALE (RIF. J.F. R 6A)	1
10	16-1-110-0304	TAPPO	1
11	24-1-110-0001	WHITE ALUMINIUM RAL 9006	1
12	14-1-110-0504	VITE DI REGOLAZIONE UNI 5927	1
13	18-1-110-2928	NAMEPLATE	1
14	19-1-110-0502	PLUG 1/8" - 27 NPT	1
15	34-1-110-1077	INSTRUCTION FOR TYPE 904	1
16	23-1-210-0080	STANDARD SINGLE BOX	1
17	23-1-510-0002	STANDARD BOX (R34)	1

	<b>DENOMINATION</b> HIGH PRESSURE REGULATOR N.A.		LPG    1 bar    42 kg/h				
	<b>MODEL</b> 904	<b>ORIFICE</b> 5.8	<b>INLET</b> 1/4" NPT FEMALE	<b>OUTLET</b> 3/8" NPT FEMALE	<b>SHARED</b> N.A.	<b>PROD. INT. GROUP</b> -	
<b>PERFORMANCE DOC.</b> N.A.	<b>COUNTRY</b> N.A.	<b>COUNTRY SPECIFIC</b> N.A.	<b>WEIGHT</b> N.A.	<b>SCALE</b> 1:1	<b>MODIFY FILE</b> N.A.	<b>PRODUCT NO</b> 90-1-490-0082	<b>REV</b> 0
<b>PROD. EVOLUTION</b> DEFINITIVE	<b>PROJECT NO</b> DS05483	<b>RELEASE LEVEL</b> APPROVED	<b>DRAWN BY</b> PEDRINI M.	<b>VERIFIED BY</b> TOMASELLI L.	<b>APPROVED BY</b> SCHLICK B.	<b>DATE</b> 02/03/16	